

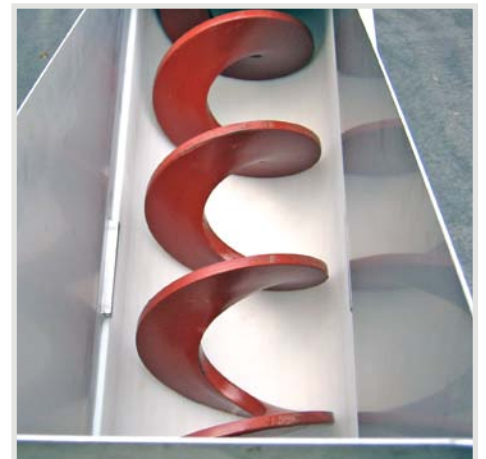
SPECIFICITIES

- Transports the Bar Screen waste to a given distance from the bar screen.
- Custom built (slope, length, intake hopper dimensions, etc.).
- Can be used with our entire range of Bar Screens.
- Straightforward design, low operating costs and easy maintenance.



TECHNICAL CHARACTERISTICS

	VTP 150	VTP 200	VTP 250
Max. Flow (m ³ /h)	0,5	1	2
Max. Slope (°)	20	25	20
Max. Length (mm)	3 000	8 000	10 000
Material	304L or 316L		
Electrical Protection	Current Controller		



1 • INTAKE HOPPER

Custom built

2 • FILTRATE OUTPUT

DN65

3 • OUTPUT HOPPER

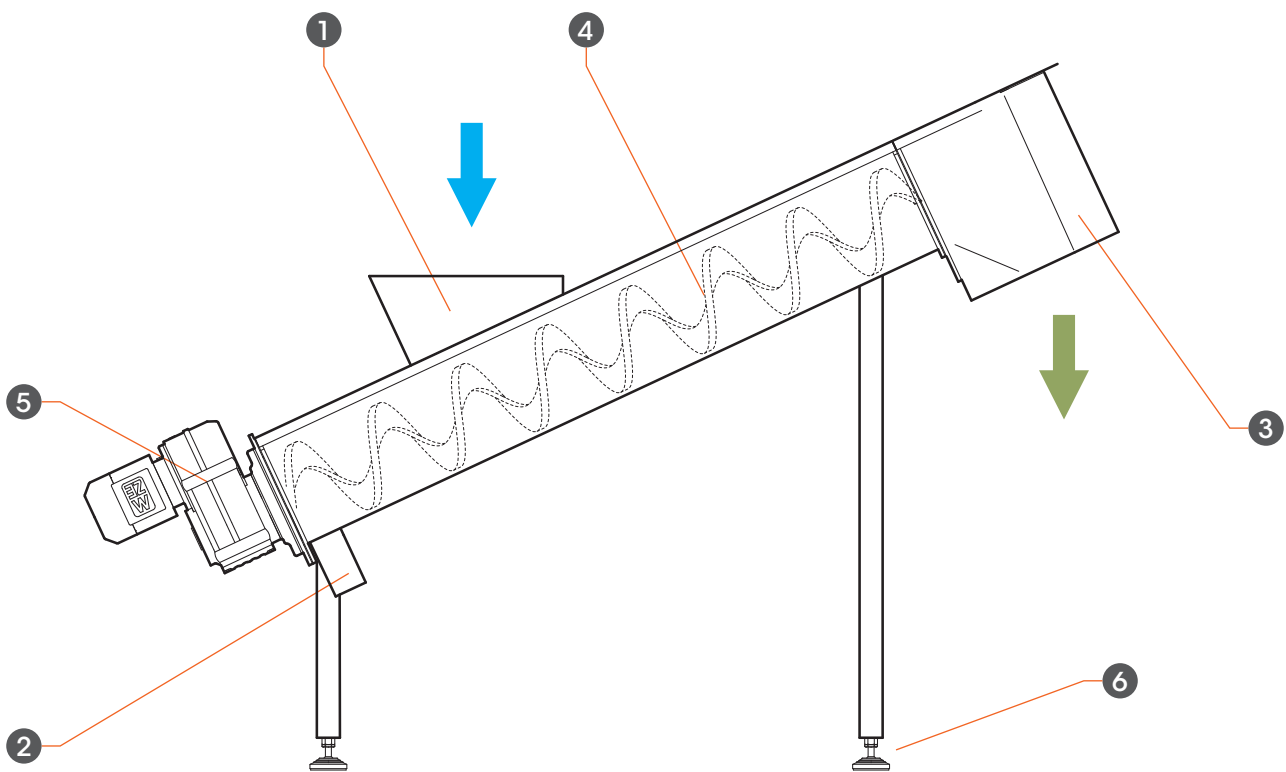
4 • CONVEYING AREA

	VTP150	VTP200	VTP250
Ø de trough (mm) :	170	225	274
Ø of screw thread (mm) :	150	200	250
Flat section :	50x10	70x15	80x20
Wear strip : HD500 6 mm thick			

5 • GEARED MOTOR (SEW)

	VTP150	VTP200	VTP250
Power (kW) :	0,12	0,25 to 1,10	0,55 to 1,50

6 • ADJUSTABLE LEGS



OPERATING PRINCIPLE

Waste is dumped in the conveying area through the intake hopper, adapted to the equipment which supplies it. The rotation of the Archimedes shaftless screw directs the waste to the output hopper. The drained water in the conveying area is recovered by a tube welded under the screw on the motor side. The filtrates can also be sent to the channel or station.

OPTIONS

Extension of output hopper, waste cleaning ramp with manual valve and electro-valve, etc.